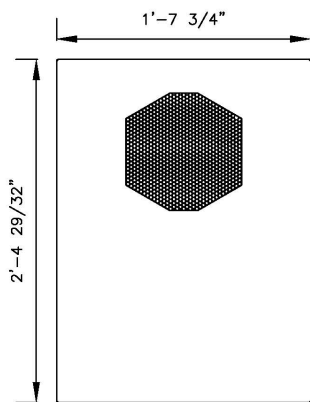
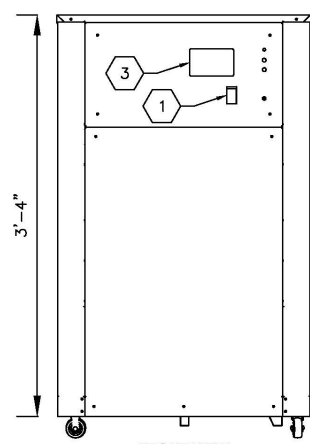
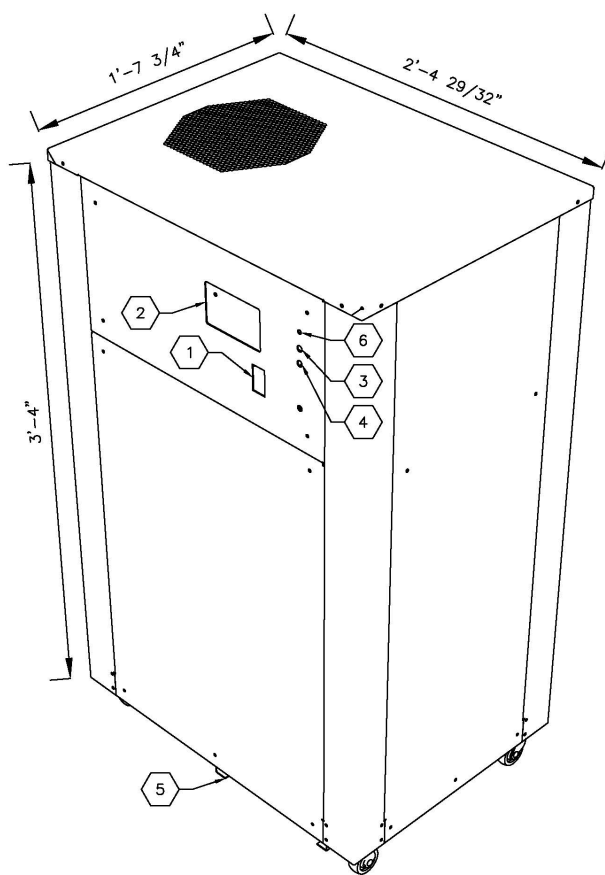




DETAIL DRAWINGS

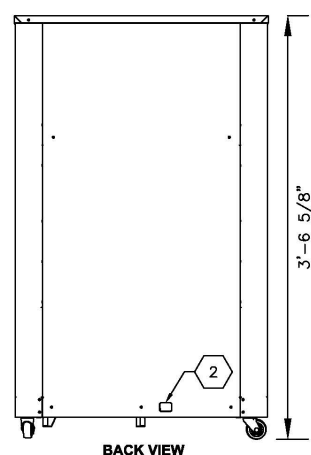


TOP VIEW



FRONT VIEW

LEGEND	
ITEM	DESCRIPTION
1	POWER SWITCH
2	DISPLAY SCREEN
3	LAMP LIGHT INDICATOR
4	FAN INDICATOR LIGHT
5	FILTER (NOTE 1)
6	FILTER RESET BUTTON



BACK VIEW

NOTES:

1. THIS FILTER IS A MERV 8 FILTER SIZED 10" BY 18" BY 1", AND SHOULD BE REPLACED EVERY 3 MONTHS.