

Air Sniper Induct 300W Standard 208V



FEATURES

No Ozone

6+ Year Lamp Life (55, 200 Hours)

Plug-and-Play

300 Watt Bulb

99.9% Destruction of Microorganisms

Scientifically proven to destroy 99.9% of airborne viruses, bacteria, and molds.

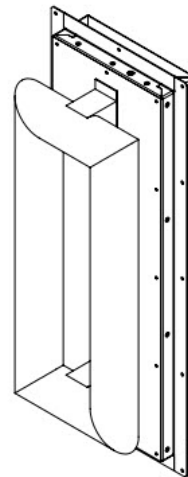
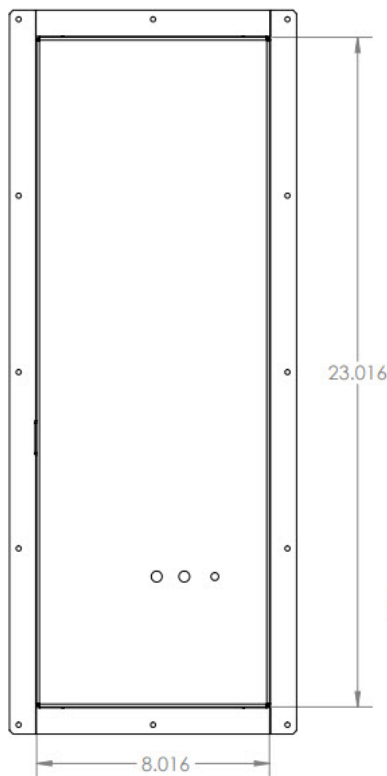
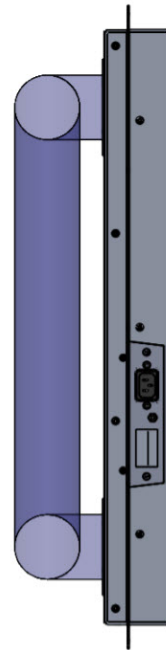
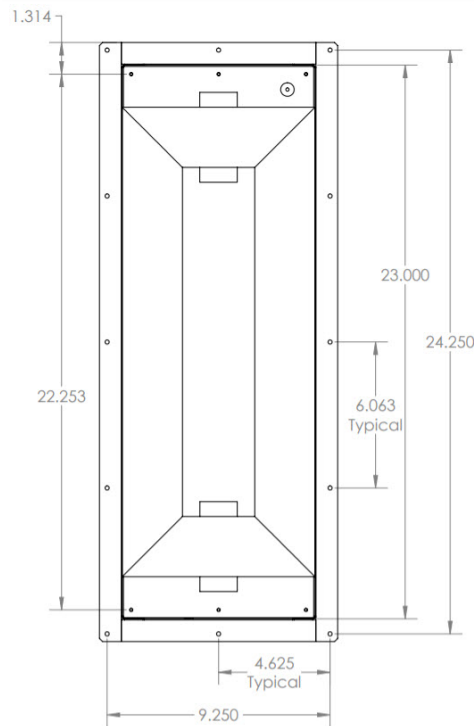
SPECIFICATIONS

Power Requirements:	208-240 VAC, Single Phase, 60 Hz
Energy Consumption:	1.8Amp Max (420 Watt) @ 208V AC
Weight:	15 lbs (7 kg)
Power Control:	On/Off Switch
Housing Material:	Aluminum
Dimensions:	25" (H) x 10" (W) x 5.36" (D)
Electrical Safety Certification:	cETLus Certified UL and CSA Standards
Airflow Detection:	Differential Pressure Switch
Operating Temp Range:	-20C/+100C
Recommended Airflow:	500-7,500 CFM
Status Indicator:	Status/bulb life indicator

| Induct 300 UPCS 628678453111 |



DETAIL DRAWINGS



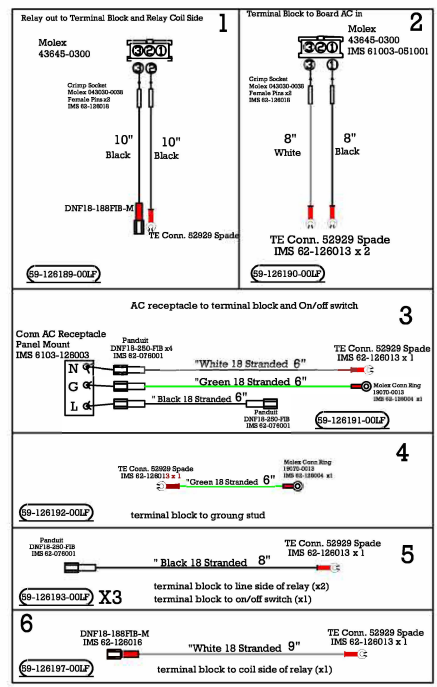
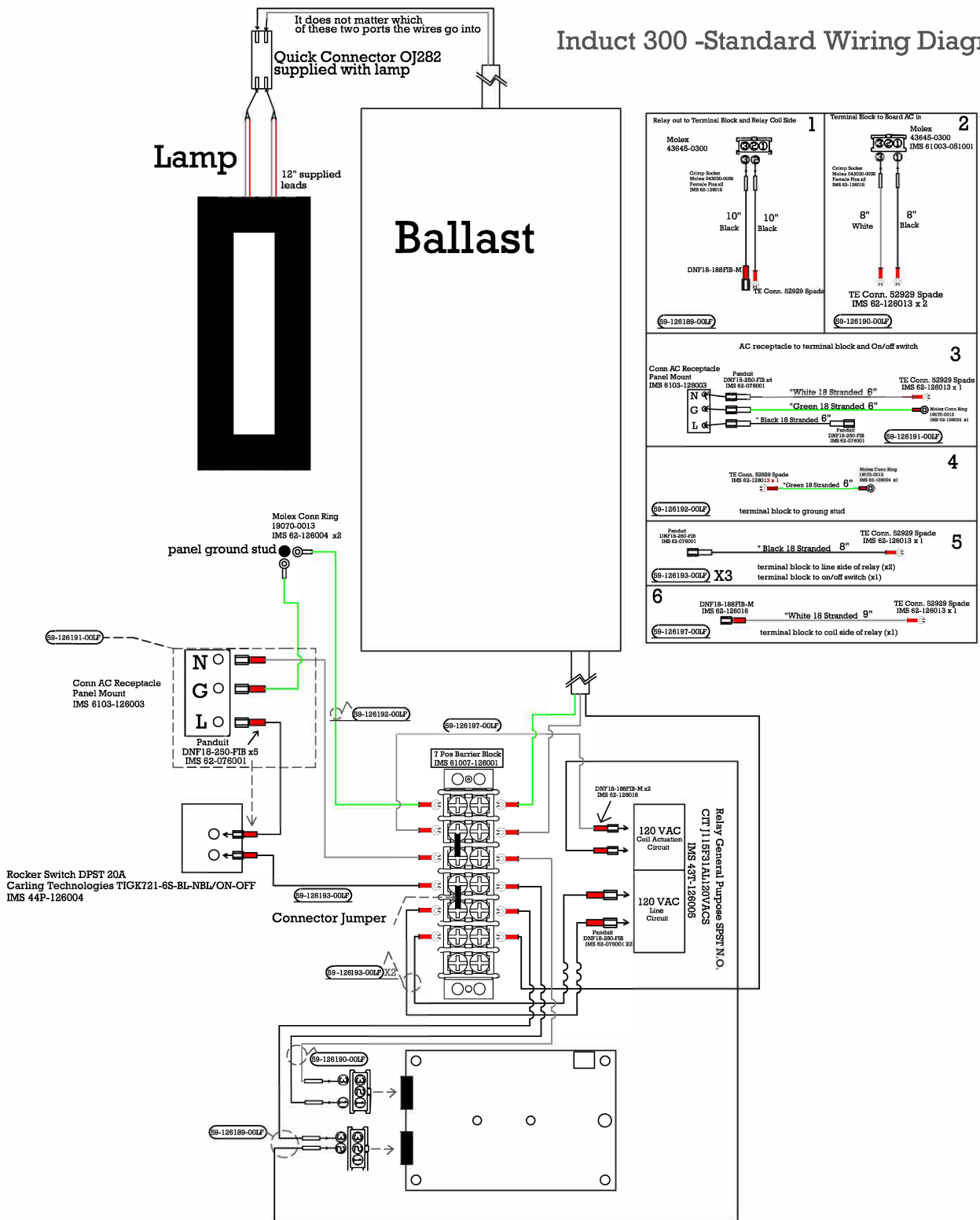
Notes

Cutout hole size : 23.125 x 8.125



WIRING DIAGRAM

Induct 300 -Standard Wiring Diagram



| Induct 300 UPCS 628678453111 |