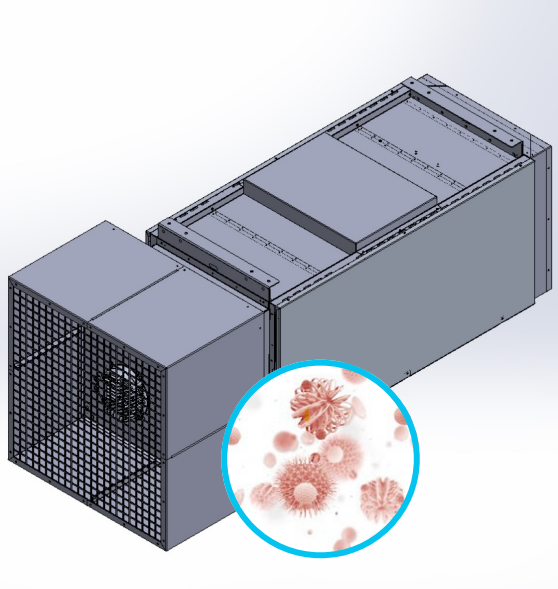


## Air Sniper Hybrid 20/20



### FEATURES

Ceiling Mounted

Produces 0% ozone

3x UVC reflective tunnels

Plug and Play

30x Ultra High Intensity 36-Watt UVC lamps (1,080 watts total)

Wi-fi enabled for remote monitoring and control

### 99.9% Destruction of Microorganisms

Scientifically proven to destroy 99.9% of airborne viruses, bacteria, and molds.

### SPECIFICATIONS

Power Requirements:	220V, 50/60 HZ
Energy consumption:	8.6 Amps @220V
Weight:	120lbs (54kg)
Housing material:	Aluminum
Dimensions:	72" (L) x 28" (H) x 28" (D)
Electrical safety certification:	UL and CSA standards
CFM:	2,500 CFM

