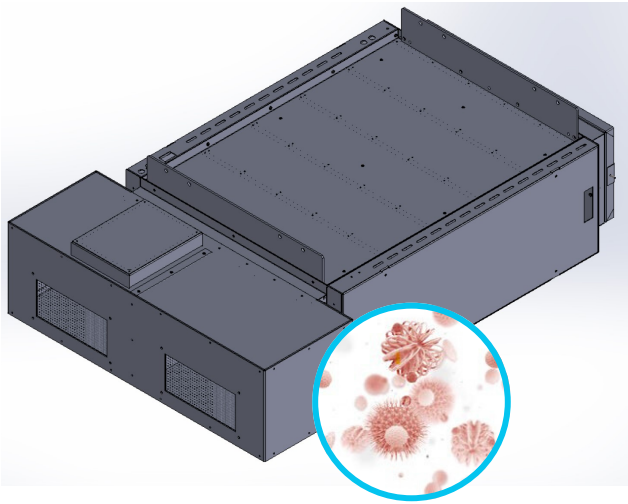


Air Sniper Hybrid 10/24



FEATURES

Ceiling Mounted

Produces 0% ozone

1x UVC reflective tunnels

Plug and Play

18x Ultra High Intensity 36-Watt UVC lamps (648 watts total)

Wi-fi enabled for remote monitoring and control

99.9% Destruction of Microorganisms

Scientifically proven to destroy 99.9% of airborne viruses, bacteria, and molds.

SPECIFICATIONS

Power Requirements:	110V-220V, 50/60 HZ
Energy consumption:	8 Amps @110V 5 Amps @220V
Weight:	70lbs (32kg)
Housing material:	Aluminum
Dimensions:	50" (L) x 12" (H) x 33"(D)
Electrical safety certification:	UL and CSA standards
CFM:	1,500 CFM

